



A. Uberti S.p.A.

Via Artigiani, 1 - Gardone V.T. (Brescia) - ITALY

Instruction Manual

BEFORE REMOVING THE FIREARM FROM THIS PACKAGE,
READ & UNDERSTAND THE PRECAUTIONS IN THE
INSTRUCTIONS MANUAL

ROLLING BLOCK RIFLE/CARBINE

SPECIAL SAFETY INSTRUCTIONS

CAUTION: Use only Factory loaded ammunition. Do not use reloaded or hand-loaded ammunition.

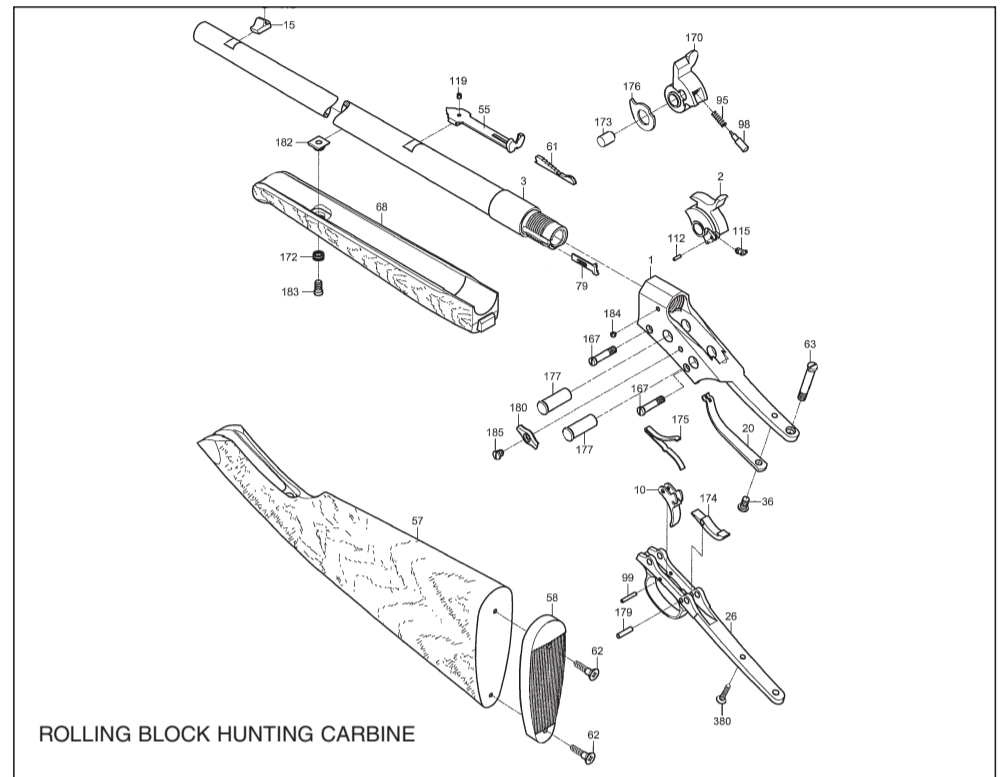
- Always use only good condition, undamaged, clean, dry, original high quality, commercially manufactured ammunition of a reputable company which is appropriate to the gun's caliber. Ammunition which is too small can fall forward and become a barrel obstruction. Manufacturers design guns and ammunition within exacting engineering safety limits. Since handloads are often outside those limits, they are not to be used.

WARNING: When a round is in the chamber, and regardless of the safety devices, this gun may discharge accidentally if it is dropped or receives a blow. Do not put a round in the chamber until the gun is in your hand and you are ready to shoot. Clear the gun immediately after shooting.

Use **ONLY COMMERCIALY** loaded cartridges that have been loaded in accordance with SAAMI-C.I.P. standards.

N.	COD. NO.	Q.ty	PART
1	0140001	1	Frame
2	1310002	1	Hammer
3	1310003	1	Barrel 22" Cal.30-30
10	0130010	1	Trigger
15	0202015	1	Sight
20	0140020	1	Main Spring
26	0140026	1	Triggerguard
36	0130036	1	Main Spring Screw
55	0242055	1	Rear Assembly
57	1310057G	1	Rough Butt Stock
57	1310057	1	Polished Butt Stock
58	2040058	1	Rubbed Butt Pad
61	0242061	1	Rear Sight Ramp
62	0200062	2	Butt Plate Screw
63	0140063	1	Tang Screw
68	1310068G	1	Rough Forend
68	1310068	1	Polished Forend
79	1310079	1	Extractor Cal.30-30
95	0130095	1	Firing Pin Spring
98	0131098	1	Firing Pin Cal.357Mag
99	0130099	1	Trigger Pin
119	0400692	2	Locking Screw
112	0130112	1	Cane Stirrup Pin
115	0130115	1	Hammer Stirrup
167	0130167	2	Triggerguard Screw
170	1310170	1	Breech Block
172	0130172	1	Forend Cap
173	0130173	1	Firing Pin Roller
174	0130174	1	Sear
175	0130175	1	Sear Spring

N.COD.	NO.	Q.ty	PART
176	0131176	1	Extractor Nose Cal.357Mag
177	0130177	2	Breech Block and Hammer Pin
179	0130179	1	Sear Pin
180	0130180	1	Pin Plate
182	0130182	1	Tenon
183	0130183	1	Forend Screw
184	0131184	1	Extractor Step Screw
185	0130185	1	Plate Screw
380	0140380	1	Rear Triggerguard Screw
ALTERNATIVES			
3	1311003	1	Barrel 22" Cal.32-40
3	1312003	1	Barrel 22" Cal.38-55
3	1313003	1	Barrel 22" Cal.357Maximum
3	1314003	1	Barrel 22" Cal.405Win
3	1315003	1	Barrel 22" Cal.45-70
3	1316003	1	Barrel 22" Cal.444Marlin
79	1311079	1	Extractor Cal.32-40
79	1312079	1	Extractor Cal.38-55
79	1313079	1	Extractor Cal.357Maximum
79	1314079	1	Extractor Cal.405Win
79	1315079	1	Extractor Cal.45-70
79	1316079	1	Extractor Cal.444Marlin



To load the firearm:

1) Pull the hammer all the way back and then pull back the breech block rotating it to the rear (see photo N°1).



2) Always keep the muzzle of your gun pointed in a safe direction, even when you are sure the gun is not loaded. Never point the gun at something you are not going to shoot. To load the gun, point the barrel toward the ground at a 30° angle, after making sure the barrel is clear of any kind of obstruction and that the muzzle end does not touch the ground insert a cartridge into the chamber.



3) Make sure the cartridge is completely up against the extractor and rotate the breech block forward so it pushes the cartridge right into the chamber. (Photo N°2)

4) Always keep your gun pointed in a safe direction. Make sure the breech block is rotated fully closed. At this point, the gun is in the firing position. (see photo N°3).

5) Your gun has a "HALF COCK" safety device.

NEVER TOTALLY RELY ON ANY SAFETY DEVICE. A safety device, like any mechanical device, could sometimes fail or it maybe worn or inadvertently manipulated into an unsafe condition.



ALWAYS TREAT YOUR RIFLE AS IF IT IS LOADED AND READY TO FIRE. The "HALF COCK" or "SAFETY" position is obtained as follows – pull the hammer back slightly just enough to take the tension on it. Pull the trigger and lower the hammer until it is about 1/10 of inch from the firing pin (see photo N°4). Then release the trigger and pull the hammer back slowly until you hear it click into the half cock notch. Gradually release the tension on the hammer ensuring that it is held securely in the half cock notch (see photo N°5). Try this operation with an unloaded gun until you are familiar with the movement.

FIRING

CAUTION: Make sure you have read and are thoroughly familiar with all safety instructions above before firing.

CAUTION:

- Always wear and encourage others near you to wear proper ear protection when shooting, especially on a range, since the noise from your gun and other guns close to you could result in a humming or ringing sound in an exposed ear for some time after riving. Repeated exposure to shooting noise could result in permanent hearing loss.
- Always wear protective shooting glasses to protect your eyes from injury by gun powder, gas, lubricant, dirt or metallic particles, carbon residue, sparks or other debris.

To fire:

- Be sure you are familiar with the "safety instructions".

- Keep gun pointing in a safe direction.

- Always use extreme care with a misfire or failure to fire. Keep the gun pointed in a safe direction and wait one full minute. This is because if hangfire or slow ignition has occurred, the round will still fire. If the round fails to fire after waiting, eject the round and examine the primer. Immediately refer to a competent gunsmith if you notice the firing pin indent on the primer is light, off-center, or does not exist.

6) You can now point your gun at the intended target.

Only when you are sure that you are pointing at your target and that nobody is anywhere near the target, behind it or anywhere next to you, you can cock your hammer to the full cock position. During this operation, make sure that you don't touch the trigger in anyway. Only when you are absolutely certain that you are ready to shoot, you can pull the trigger

UNLOADING

CAUTION: Make sure you have read and are thoroughly familiar with all safety instructions above before unloading.

CAUTION: Immediately after use and before cleaning, unload your gun.

To unload:

7) To remove a cartridge from your rifle, make sure you are keeping your muzzle pointing in a safe direction. Pull back the hammer into full cock, rotate the breech block backward. The cartridge will extract but not be fully ejected and you will have to remove it manually.

- Keep gun pointing in a safe direction, keep fingers off trigger and always keep hands and face away from muzzle and ejection port.

CAUTION: Look in the chamber and barrel to ensure they are clear of debris and other obstructions.

STORAGE

CAUTION: Always store your gun unloaded and separate from ammunition, each in its own locked receptacle beyond children's reach and sight.